

PARTS LIST

**T30 MODEL 2545
TWO STAGE
INDUSTRIAL
AIR COMPRESSOR**

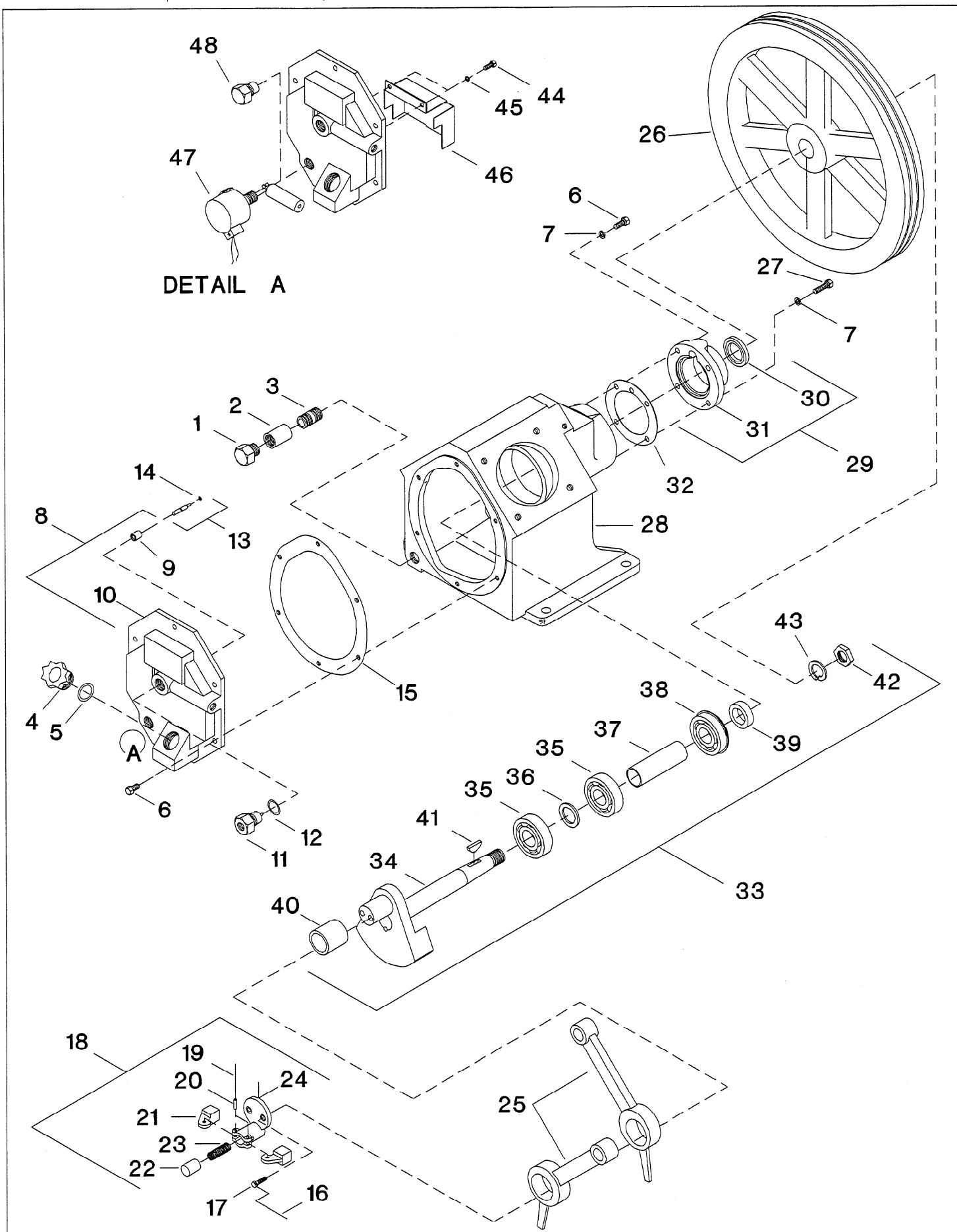


A series of horizontal lines for writing, starting from the top right of the pen icon and extending across the width of the page. The lines are evenly spaced and cover most of the page's vertical space.



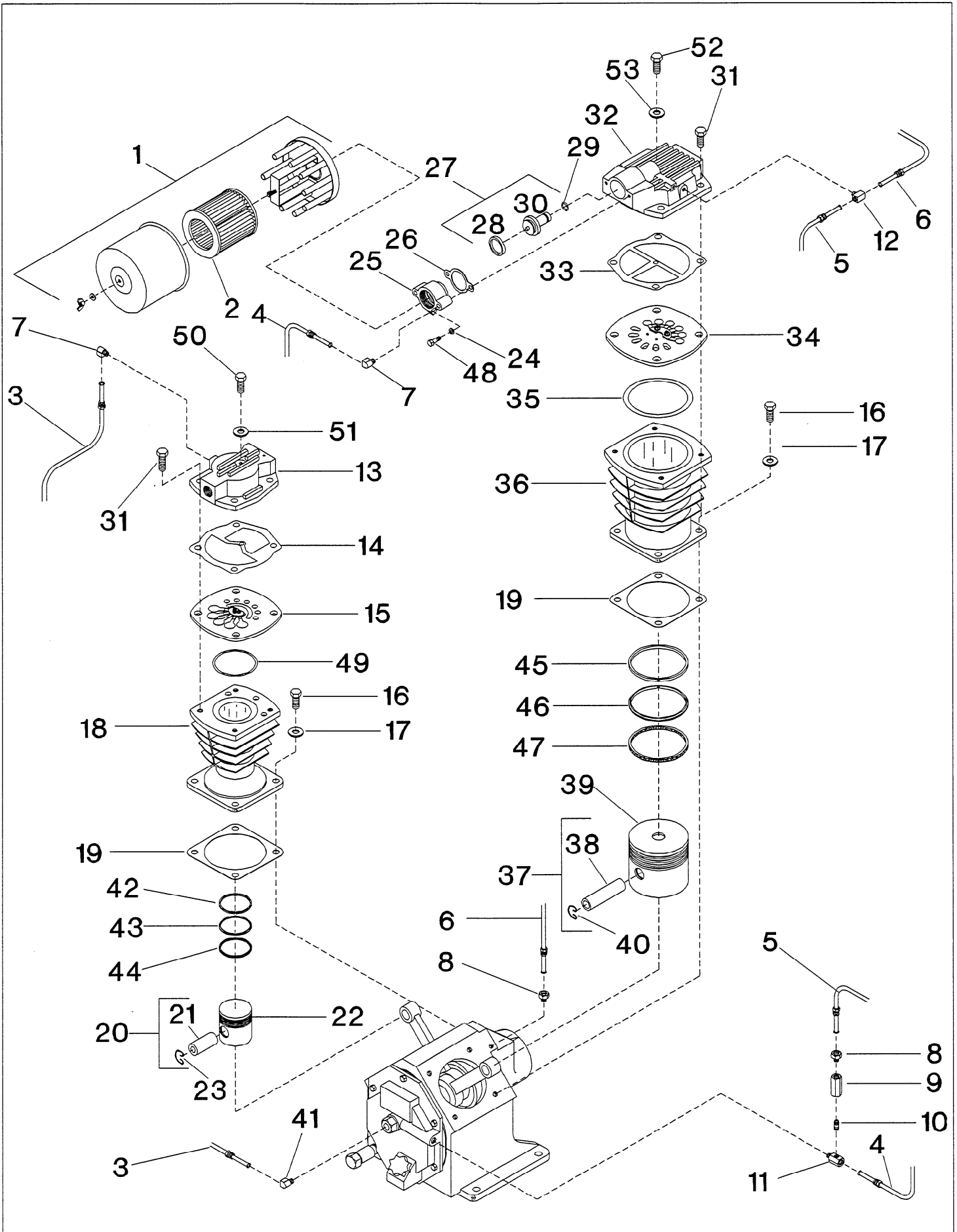
A series of horizontal lines for writing, starting from the top line and extending to the bottom of the page. The lines are evenly spaced and cover the majority of the page's width.

FIGURE 1. COMPRESSOR PUMP ASSEMBLY (VIEW 1).



REF. NO.	PART NO.	DESCRIPTION	QTY.	SPARES		
				1	2	3
1-1	95344651	PLUG, PIPE - HEX HEAD 1/2"	1			
1-2	32179061	COUPLING, PIPE - 1/2"	1			
1-3	95273330	NIPPLE, PIPE	1			
1-4	32247843	PLUG, OIL FILL	1			
1-5	32247850	O-RING, OIL FILL PLUG	1	1	1	2
1-6	95105250	CAPSCREW, HEX - 5/16-18X1"	8			
1-7	95674651	WASHER, COPPER	2			
1-8	32293938	ASSEMBLY, FRAME END COVER	1			
1-9	37127057	● BUSHING, PILOT VALVE	1			
1-10	NSS	● COVER, FRAME END	1			
1-11	37113701	VALVE, PILOT	1			
1-12	30346597	WASHER, COPPER - 7/8"	1		1	1
1-13	32028698	ASSEMBLY, THRUST PIN	1			
1-14	95210225	● O-RING, THRUST PIN	1	1	1	2
1-15	32294035	GASKET, FRAME END COVER	1	1	1	2
1-16	90799289	LOCKWIRE, 12 GAUGE - 5"	1			
1-17	30278667	CAPSCREW, LOCK - 3/8-16X7/8"	2			
1-18	30289110	ASSEMBLY, CRANKPIN CAP	1			
1-19	32006587	● LOCKWIRE, 12 GAUGE - 4"	1			
1-20	30215008	● PIN, CENTRIFUGAL UNLOADER WEIGHT	2			
1-21	30221725	● WEIGHT, CENTRIFUGAL UNLOADER	2			
1-22	30216113	● PLUNGER, CENTRIFUGAL UNLOADER	1			
1-23	30416978	● SPRING, CENTRIFUGAL UNLOADER	1			1
1-24	30210447	● BODY, CRANKPIN CAP	1			
1-25	32198160	ROD, CONNECTING	2		2	2
1-26	32496440	BELTWHEEL	1			
1-27	95079984	CAPSCREW, HEX - 5/16-18X1-1/4"	2			
1-28	32203192	FRAME, COMPRESSOR	1			
1-29	32498008	ASSEMBLY, SHAFT END COVER	1			
1-30	32497810	● SEAL, OIL	1		1	2
1-31	NSS	● COVER, SHAFT END	1			
1-32	32294027	GASKET, SHAFT END COVER	1	1	1	2
1-33	32294431	ASSEMBLY, CRANKSHAFT	1			
1-34	NSS	● ASSEMBLY, DISC & SHAFT	1			
1-35	95200770	● BEARING, BALL	2			
1-36	32203218	● SPACER, INNER BEARING	1			
1-37	32203226	● SPACER, OUTER BEARING	1			
1-38	95305546	● BEARING, BALL - WITH SNAP RING	1			
1-39	37127941	● RING, BEARING RETAINER	1			
1-40	30210165	● BUSHING, CRANKPIN	1			
1-41	95433173	● KEY, WOODRUFF	1			
1-42	95098315	● NUT, BELTWHEEL -7/8-14	1			
1-43	95043162	● LOCKWASHER, SPRING - 7/8"	1			
DETAIL A						
1-44	95053070	CAPSCREW, HEX - 1/4-20X1/2"	2			
1-45	95043196	LOCKWASHER, SPRING - 1/4"	2			
1-46	32270654	BAFFLE, LOW OIL LEVEL SWITCH	1			
1-47	32276313	SWITCH, LOW OIL LEVEL	1			
1-48	97330245	OIL, SIGHTGLASS (IF LOW OIL LEVEL SWITCH IS NOT USED)	1			

FIGURE 2. COMPRESSOR PUMP ASSEMBLY (VIEW 2).



REF. NO.	PART NO.	DESCRIPTION	QTY.	SPARES		
				1	2	3
2-1	32230542	FILTER, AIR INLET - COMPLETE	1			
2-2	32012957	● ELEMENT, FILTER - 10 MICRON	1	1	1	1
2-3	32293953	ASSEMBLY, TUBE - PILOT VALVE/HIGH PRESSURE HEAD	1			
2-4	32201444	ASSEMBLY, TUBE - FRAME END COVER TEE/INLET	1			
2-5	32293961	ASSEMBLY, TUBE - FEC CHECK VALVE/LOW PRESSURE HEAD	1			
2-6	32293946	ASSEMBLY, TUBE - BREATHER	1			
2-7	95031860	ELBOW, TUBE - 5/16X1/8"	2			
2-8	95082483	CONNECTOR, TUBE - 5/16X1/8"	2			
2-9	32001141	VALVE, CHECK	1			
2-10	95796017	NIPPLE, CLOSE - 1/8X3/4"	1			
2-11	32203242	CONNECTOR, MALE - 5/16X1/4"	1			
2-12	95007522	TEE, MALE BRANCH - 5/16X1/8"	1			
2-13	32294084	HEAD, HIGH PRESSURE	1			
2-14	32294043	GASKET, HEAD - HIGH PRESSURE	1	1	1	2
2-15	32293904	ASSEMBLY, VALVE PLATE - HIGH PRESSURE (SEE FIG. 4)	1			
2-16	95053567	CAPSCREW, HEX - 1/2-13X1-1/4"	8			
2-17	95674701	GASKET, COPPER WASHER - 1/2"	8			
2-18	32295248	CYLINDER - 2-3/4" - 2ND STAGE	1			
2-19	32294019	GASKET, FLANGE	2	2	2	4
2-20	32496614	COMPLETE, PISTON/PIN - HIGH PRESSURE	1		1	1
2-21	32182818	● PIN, PISTON	1			
2-22	NSS	● PISTON - 2-3/4"	1			
2-23	30287791	● RING, LOCK	2			
2-24	95043188	LOCKWASHER, SPRING - 5/16"	2			
2-25	32230633	COVER, UNLOADER	1			
2-26	32182826	GASKET, UNLOADER COVER	1	1		
2-27	32256265	ASSEMBLY, PISTON UNLOADER	1	1	1	2
2-28	32254740	● SEAL, UNLOADER PISTON	1	1	1	2
2-29	32188385	● O-RING, UNLOADER PISTON	1	1	1	2
2-30	NSS	● PISTON, UNLOADER	1			
2-31	95104188	CAPSCREW, HEX - 1/2-13X1-3/4"	8			
2-32	32499899	HEAD - LOW PRESSURE	1			
2-33	32294050	GASKET, HEAD - LOW PRESSURE	1	1	1	2
2-34	32293912	ASSEMBLY, VALVE PLATE - LOW PRESSURE (SEE FIG. 3)	1			
2-35	32294076	O-RING, VALVE PLATE	1	1	1	2
2-36	32295271	CYLINDER - 5" - 1ST STAGE	1			
2-37	32496580	COMPLETE, PISTON/PIN - LOW PRESSURE	1	1	1	2
2-38	30297022	● PIN, PISTON	1			
2-39	NSS	● PISTON, LOW PRESSURE (5")	1			
2-40	30287791	● RING, LOCK	2		1	1
2-41	95110441	ELBOW, 5/16X1/4" TUBE	1			
2-42	32294167	SET, HIGH PRESSURE (2.75") PISTON RINGS	1			
2-43	32294175	RING, SCRAPER (2.75")	1			
2-44	32295792	RING, OIL CONTROL (2.75")	1			
2-45	32294209	SET, LOW PRESSURE (5") PISTON RINGS	1			
2-46	32294217	RING, SCRAPER (5")	1			
2-47	32295784	RING, OIL CONTROL (5")	1			
2-48	95079927	CAPSCREW, 5/16-18X1-3/4" HEX HEAD	2			
2-49	32294068	O-RING, HIGH PRESSURE VALVE PLATE	1	1	1	2
2-50	95318978	CAPSCREW, 1/4-28X2-1/4" HEX HEAD	1			
2-51	95674677	WASHER, 3/8" COPPER	1			
2-52	32294373	CAPSCREW, 3/8-24X3-1/2" HEX HEAD	1			
2-53	32255903	WASHER, 1/4" COPPER	1			

FIGURE 3. LOW PRESSURE (FIRST STAGE) VALVE PLATE ASSEMBLY.

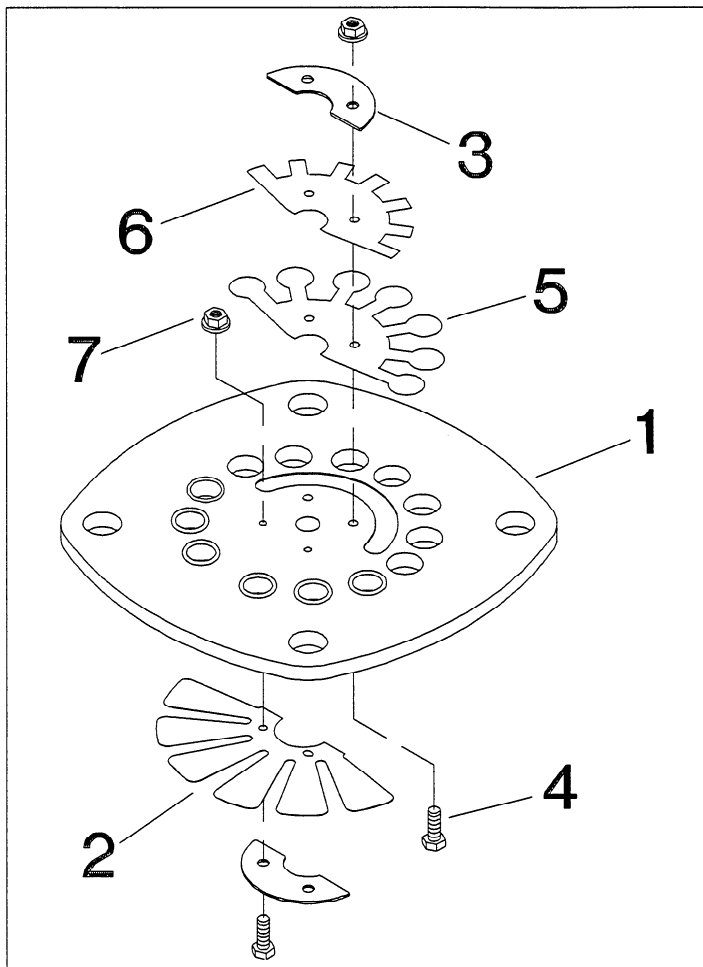
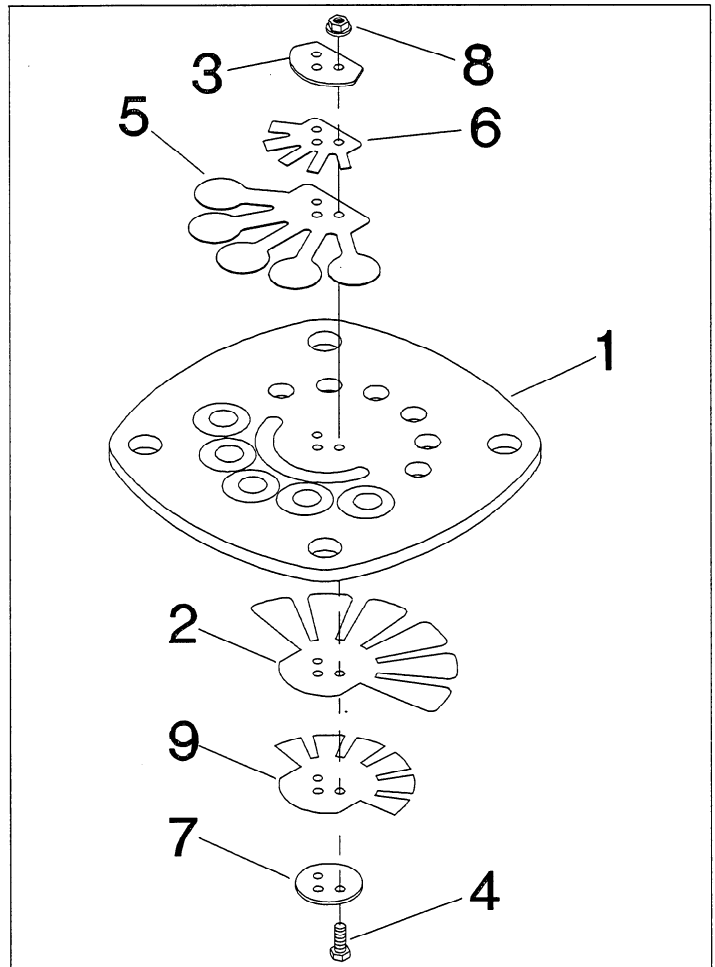


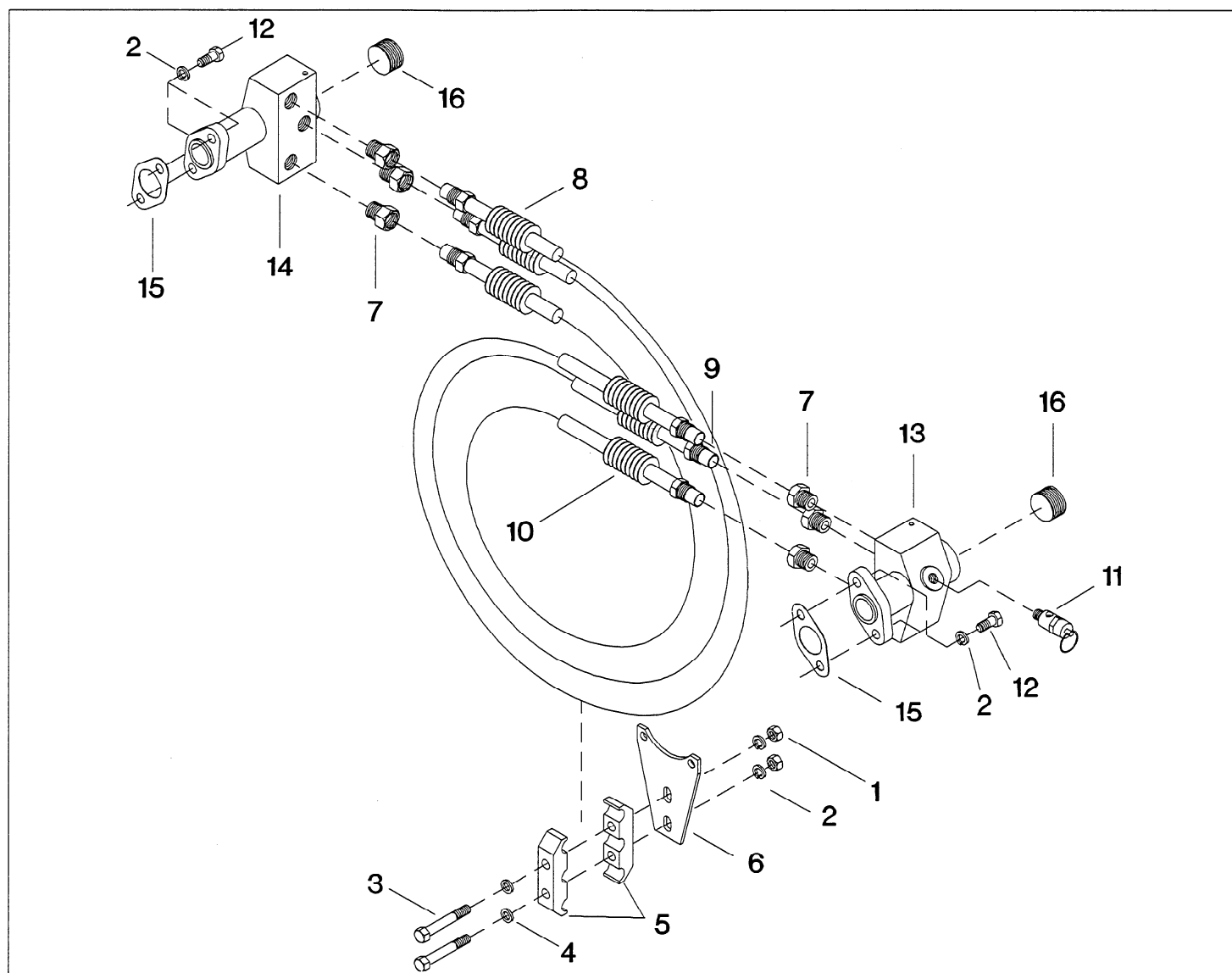
FIGURE 4. HIGH PRESSURE (SECOND STAGE) VALVE PLATE ASSEMBLY.



REF. NO.	PART NO.	DESCRIPTION	QTY.	SPARES		
				1	2	3
REF.	32293912	ASSEMBLY, LOW PRESSURE (5") VALVE PLATE	1			
3-1	32294274	PLATE, LOW PRESSURE VALVE	1			
3-2	32294324	VALVE, LOW PRESSURE INTAKE FINGER	1			
3-3	32294340	RETAINER, LOW PRESSURE INTAKE & DISCHARGE VALVES	2			
3-4	32247512	SCREW, M4X12 HEX HEAD	4			
3-5	32294332	VALVE, LOW PRESSURE DISCHARGE FINGER	1			
3-6	32294365	DAMPER, LOW PRESSURE DISCHARGE VALVE	1			
3-7	32248171	NUT, M4 HEX	4			

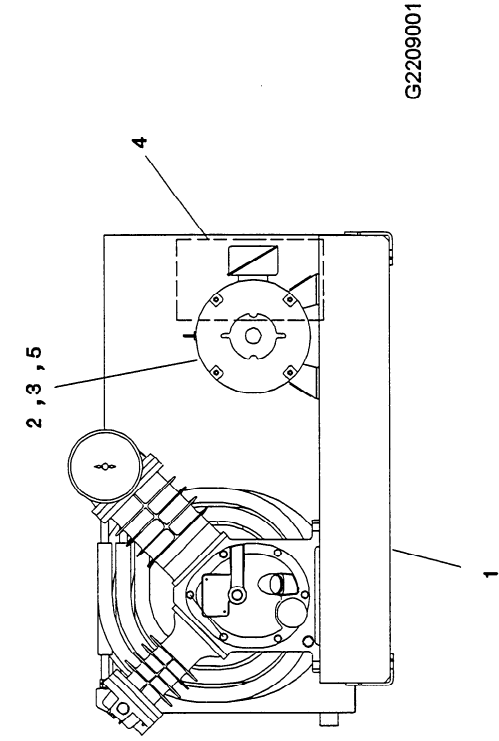
REF. NO.	PART NO.	DESCRIPTION	QTY.	SPARES		
				1	2	3
REF.	32293904	ASSEMBLY, HIGH PRESSURE (2.75") VALVE PLATE	1			
4-1	32294266	PLATE, HIGH PRESSURE VALVE	1			
4-2	32294282	VALVE, HIGH PRESSURE INTAKE FINGER	1			
4-3	32294316	RETAINER, HIGH PRESSURE DISCHARGE VALVE	1			
4-4	97511042	SCREW, M3X16 HEX HEAD	3			
4-5	32294290	VALVE, HIGH PRESSURE DISCHARGE	1			
4-6	32294357	DAMPER, HIGH PRESSURE DISCHARGE VALVE	1			
4-7	32294308	RETAINER, HIGH PRESSURE INTAKE VALVE	1			
4-8	97511059	NUT, M3 HEX WITH LOCKWASHER	3			
4-9	32295826	DAMPER, VALVE	1			

FIGURE 5. INTERCOOLER ASSEMBLY.



REF. NO.	PART NO.	DESCRIPTION	QTY.	SPARES		
				1	2	3
Ref.	32188666	ASSEMBLY, INTERCOOLER	1			
5-1	95077764	NUT, HEX - 3/8-16	2			
5-2	95081857	LOCKWASHER, SPRING - 3/8"	6			
5-3	95079646	CAPSCREW, HEX - 3/8-16X2-1/2"	2			
5-4	95069597	WASHER, FLAT - 3/8"	2			
5-5	32294159	CLAMP, INTERCOOLER	2			
5-6	32294142	BRACKET, INTERCOOLER CLAMP	1			
5-7	95083226	CONNECTOR, MALE - 5/8X1/2"	6			
5-8	32211708	ASSEMBLY, TUBE - #3 INTERCOOLER	1		1	2
5-9	32211690	ASSEMBLY, TUBE - #2 INTERCOOLER	1		1	2
5-10	32211682	ASSEMBLY, TUBE - #1 INTERCOOLER	1		1	2
5-11	72062185	VALVE, RELIEF - 80 PSIG	1			2
5-12	95468443	CAPSCREW, HEX - 3/8-16X1"	4			
5-13	32185787	MANIFOLD, HEAD - LP	1			
5-14	32185795	MANIFOLD, HEAD - HP	1			
5-15	32188377	GASKET, MANIFOLD	2	2	2	4
5-16	95101457	PLUG, PIPE - SQUARE COUNTERSUNK - 1"	2			

FIGURE 6. TYPICAL BASEPLATE MOUNTED ELECTRIC PACKAGES.



G2209001

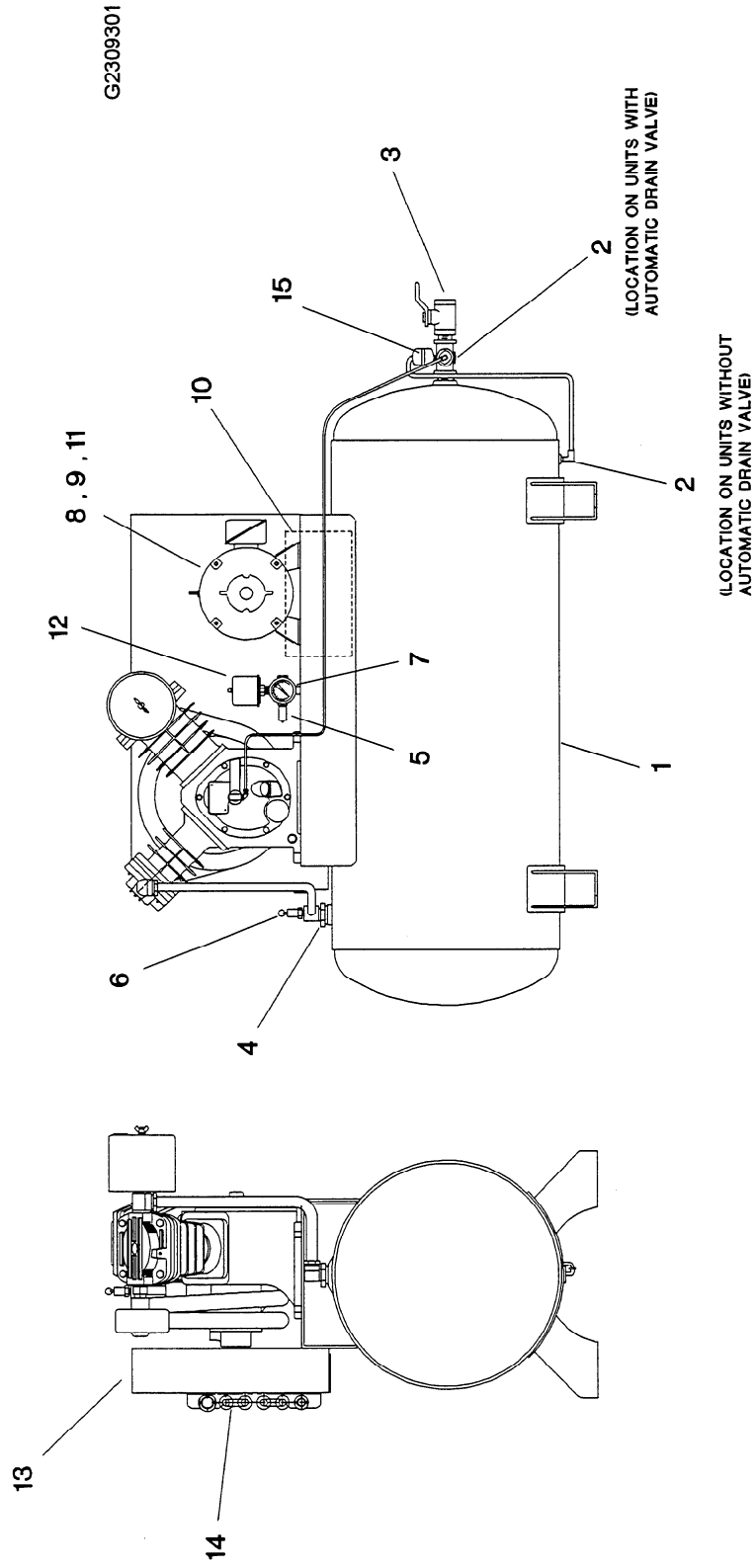
REF. NO.	PART NUMBER	DESCRIPTION	QTY.
	2545X6	2545X10	
6-1	32195232	32195232 ASSEMBLY, SUBBASE	1
6-2	32036857 **	97331193 ** MOTOR, ELECTRIC — 230-3-60	1
6-3	32138836 **	32202392 ** PULLEY, MOTOR	1
6-4	32496903 **	32245359 ** STARTER (IF SUPPLIED) — 230-3-60	1
6-5	95099552 **	32189284 ** BELT, DRIVE	2
6-6	REF.	REF. BELTGUARD — SHEET METAL TYPE (SEE FIG 11, PG. 18)	1
6-6	REF.	REF. BELTGUARD — WIRE TYPE (SEE FIG. 10, PG. 17)	1
6-7	REF.	REF. AFTERCOOLER, AIR COOLED (SEE FIG. 11, PG. 18)	1
6-8	32170797	32170797 VALVE, AUXILIARY	1

** = PART NUMBER VARIES. SUPPLY MODEL NUMBER, SERIAL NUMBER AND COMPLETE MOTOR NAMEPLATE DATA WHEN ORDERING.

REF. = REFERENCE PAGE NUMBER(S) GIVEN IN DESCRIPTION COLUMN.

NOTE: AIR COOLED AFTERCOOLER CANNOT BE MOUNTED ON WIRE BELTGUARD.

FIGURE 7. TYPICAL SIMPLEX HORIZONTAL RECEIVER MOUNTED ELECTRIC PACKAGES



REF. NO.	PART NUMBER				DESCRIPTION	QTY.	
	2545D5	2545D7.5	2545E7.5	2545D10	2545E10	2545E10V	
7-1	97335772	97335772	32498636	97335772	32498636	ASSEMBLY, RECEIVER — 175 PSIG UNITS	1
7-2	32027120	32027120	32027120	32027120	32027120	VALVE, MANUAL DRAIN	1
7-3	32223596	32223596	32223596	32223596	32106569	VALVE, BALL — SERVICE VALVE	1
7-4	32306953	32306953	32306953	32306953	97331235	VALVE, CHECK	1
7-5	31385693	31385693	31385693	31385693	31385693	VALVE, SAFETY/RELIEF — RECEIVER 200 PSIG	1
7-6	32174286	32174286	32174286	32174286	32174286	VALVE, SAFETY/RELIEF — DISCHARGE 325 PSIG	1
7-7	32013872	32013872	32013872	32013872	32013872	GAUGE, PRESSURE — 300 PSIG	1
7-8	32036857	32036972	32036972	97331193	97331193	MOTOR, ELECTRIC 230/460-3-60 NEMA 1	1
7-9	32138836	32121683	32121683	32202392	97331573	PULLEY, MOTOR	1
7-10	32496903	32245359	32245359	32496937	32496937	STARTER (IF SUPPLIED) 230-3-60 NEMA 1	1
7-11	95099552	32189284	32189284	95099560	95100178	BELT, DRIVE	3
7-12	32496887	32496887	32496887	32496887	32307043	SWITCH, PRESSURE — NEMA 1	1
7-13	REF.	REF.	REF.	REF.	REF.	BELTGUARD, COMPLETE — SHEET METAL TYPE (SEE FIG. 11, PG. 18)	1
7-13	REF.	REF.	REF.	REF.	REF.	BELTGUARD, COMPLETE — WIRE TYPE (SEE FIG. 10, PG. 17)	1
7-14	REF.	REF.	REF.	REF.	REF.	AFTERCOOLER, AIR COOLED (SEE FIG. 11, PG. 18)	1
7-15	REF.	REF.	REF.	REF.	REF.	VALVE, AUTOMATIC DRAIN (IF SUPPLIED)(SEE FIG. 12, PG. 20)	1
NI	32170797	32170797	32170797	32170797	32170797	VALVE, AUXILIARY — NEMA 1	1

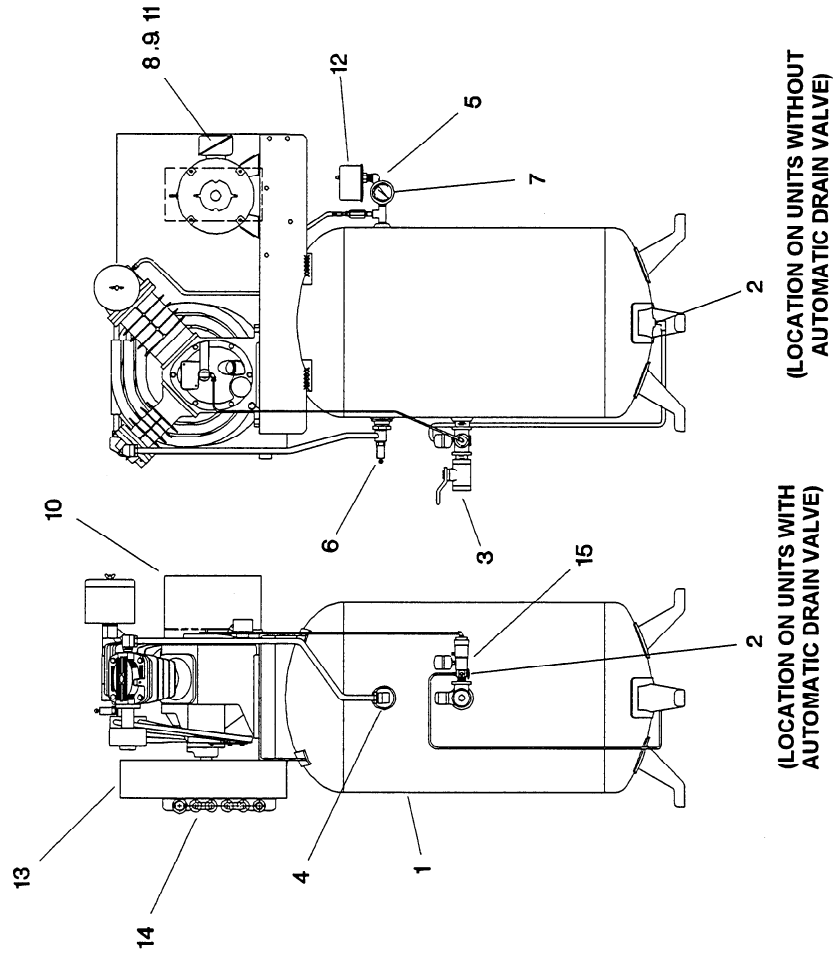
** = PART NUMBER VARIES. SUPPLY MODEL NUMBER, SERIAL NUMBER AND COMPLETE MOTOR NAMEPLATE DATA WHEN ORDERING.

REF. = REFERENCE PAGE NUMBER(S) GIVEN IN DESCRIPTION COLUMN.

NOTE = AIR COOLED AFTERCOOLER CANNOT BE MOUNTED ON WIRE BELTGUARD.

G2809304

FIGURE 8. TYPICAL VERTICAL RECEIVER ELECTRIC PACKAGE



REF. NO.	PART NUMBER		DESCRIPTION	QTY.		
	2545N7.5	2545K7.5	2545N10	2545K10		
8-1	32234395	32234411	32234395	32234411	ASSEMBLY, RECEIVER — 175 PSIG UNITS	1
8-2	32027120	32027120	32027120	32027120	VALVE, MANUAL DRAIN	1
8-3	32106569	32223604	32106569	32223604	VALVE, BALL — SERVICE VALVE	1
8-4	32306953	32306953	32306953	32306953	VALVE, CHECK	1
8-5	31385693	31385693	31385693	31385693	VALVE, SAFETY/RELIEF — RECEIVER 200 PSIG	1
8-6	32174286	32174286	32174286	32174286	VALVE, SAFETY/RELIEF — DISCHARGE 325 PSIG	1
8-7	32013872	32013872	32013872	32013872	GAUGE, PRESSURE — 300 PSIG	1
8-8	32036972 **	32036972 **	97331193 **	97331193 **	MOTOR, ELECTRIC 230-3-60	1
8-9	32121683 **	32121683 **	32202392 **	32202392 **	PULLEY, MOTOR	1
8-10	32245359 **	32245359 **	32496937 **	32496937 **	STARTER (IF SUPPLIED) 230-3-60	1
8-11	32189284 **	32189284 **	95099560 **	95099560 **	BELT, DRIVE	3
8-12	32496887 **	32496887 **	32496887 **	32496887 **	SWITCH, PRESSURE — NEMA 1	1
8-13	REF.	REF.	REF.	REF.	BELTGUARD — SHEET METAL TYPE (SEE FIG. 11, PG. 18)	1
8-13	REF.	REF.	REF.	REF.	BELTGUARD — WIRE TYPE (SEE FIG. 10, PG. 17)	1
8-14	REF.	REF.	REF.	REF.	AFTERCOOLER, AIR COOLED (SEE FIG. 11, PG. 18)	1
8-15	REF.	REF.	REF.	REF.	VALVE, AUTOMATIC DRAIN (IF SUPPLIED)(SEE FIG. 12, PG. 20)	1
NI	32170797	32170797	32170797	32170797	VALVE, AUXILIARY	1

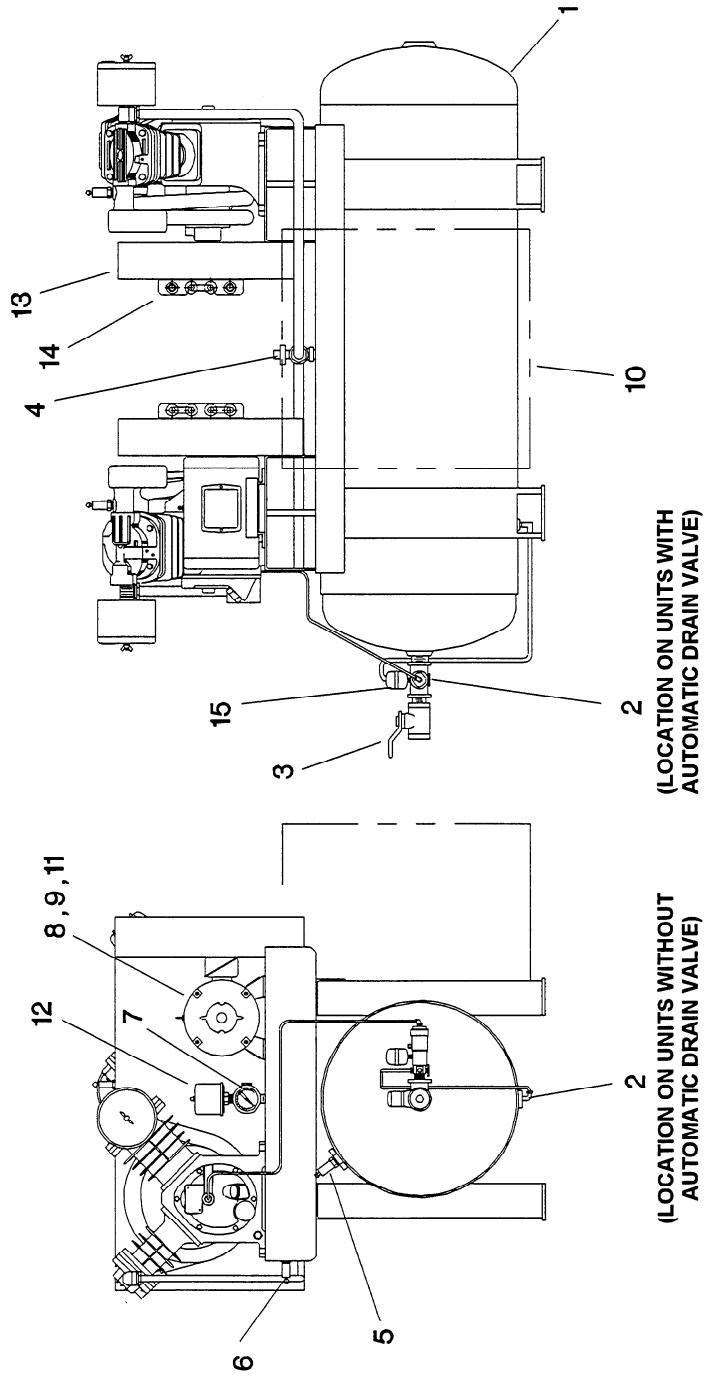
** = PART NUMBER VARIES. SUPPLY MODEL NUMBER, SERIAL NUMBER AND COMPLETE MOTOR NAMEPLATE DATA WHEN ORDERING.

REF. = REFERENCE PAGE NUMBER(S) GIVEN IN DESCRIPTION COLUMN.

NOTE = AIR COOLED AFTERCOOLER CANNOT BE MOUNTED ON WIRE BELTGUARD.

FIGURE 9. TYPICAL DUPLEX RECEIVER MOUNTED PACKAGES

G2409302



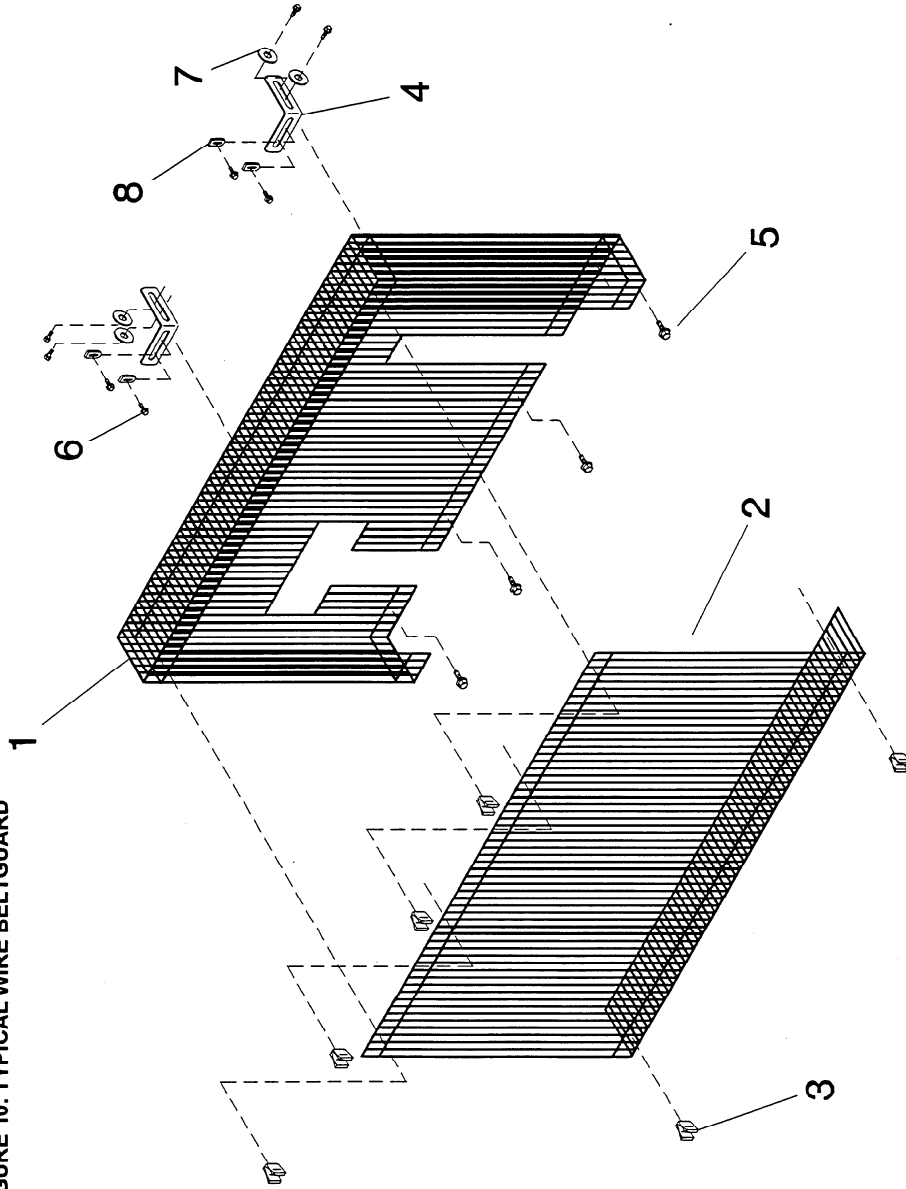
REF. NO.	PART NUMBER			DESCRIPTION	QTY.
	2-2545E7.5	2-2545A7.5	2-2545E10	2-2545A10	
9-1	32239915	32243693	32239915	32243693 ASSEMBLY, RECEIVER	1
9-2	32027120	32027120	32027120	32027120 VALVE, MANUAL DRAIN	1
9-3	32223604	32223604	32223604	32223604 VALVE, BALL — SERVICE VALVE	1
9-4	32306953	32306953	32306953	32306953 VALVE, CHECK	1
9-5	31385693	31385693	31385693	31385693 VALVE, SAFETY/RELIEF — RECEIVER	1
9-6	32174286	32174286	32174286	32174286 VALVE, SAFETY/RELIEF — DISCHARGE	2
9-7	32013872	32013872	32013872	32013872 GAUGE, PRESSURE — 300 PSIG	1
9-8	32036972 **	32036972 **	97331193 **	97331193 ** MOTOR, ELECTRIC — 230-3-60	2
9-9	32121683 **	32121683 **	32202392 **	32202392 ** PULLEY, MOTOR	2
9-10	32237141 **	32237141 **	32237141 **	32237141 ** ALTERNATOR — 230/3/60	1
9-11	32189284 **	32189284 **	95099560 **	95099560 ** BELT, DRIVE	6
9-12	37005907 **	37005907 **	37005907 **	37005907 ** SWITCH, PRESSURE — NEMA 1	2
9-13	REF.	REF.	REF.	REF. BELTGUARD — SHEET METAL TYPE (SEE FIG. 11, PG. 18)	2
9-13	REF.	REF.	REF.	REF. BELTGUARD — WIRE TYPE (SEE FIG. 10, PG. 17)	2
9-14	REF.	REF.	REF.	REF. AFTERCOOLER, AIR COOLED (SEE FIG. 11, PG. 18)	2
9-15	REF.	REF.	REF.	REF. VALVE, AUTOMATIC DRAIN (IF SUPPLIED)(SEE FIG. 12, PG. 20)	1
NI	32170797	32170797	32170797	32170797 VALVE, AUXILIARY	1

** = PART NUMBER VARIES. SUPPLY MODEL NUMBER, SERIAL NUMBER AND COMPLETE MOTOR NAMEPLATE DATA WHEN ORDERING.

REF. = REFERENCE PAGE NUMBER(S) GIVEN IN DESCRIPTION COLUMN.

NOTE = AIR COOLED AFTERCOOLER CANNOT BE MOUNTED ON WIRE BELTGUARD.

FIGURE 10. TYPICAL WIRE BELTGUARD



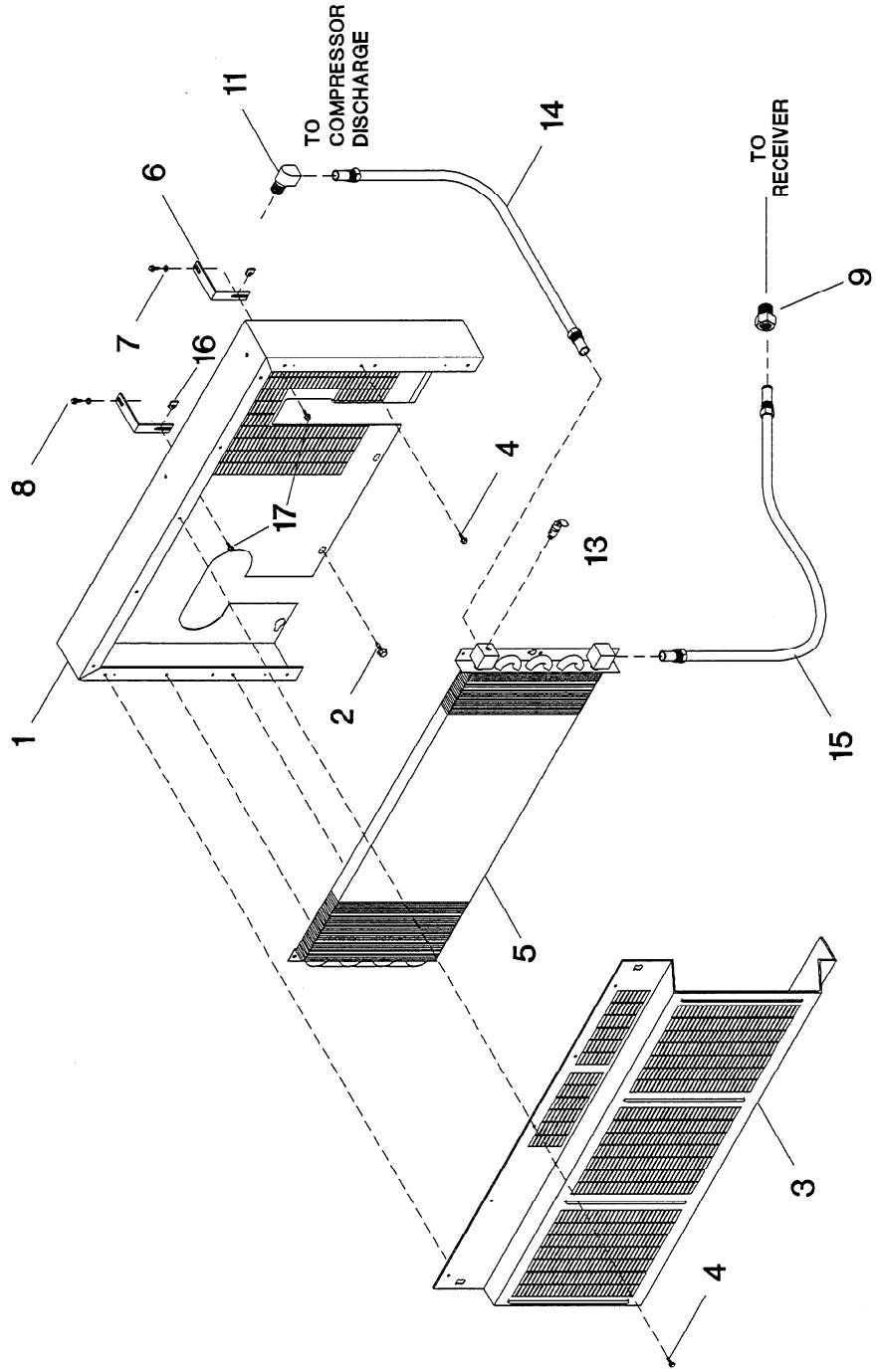
WIRE BELTGUARD KITS

Kits include everything shown in Figure 10.

PART NUMBER	MODEL
32323362	2545E10V

REF. NO.	PART NO.	DESCRIPTION	QTY.
10-1	97331219	BACK, BELTGUARD — WIRE TYPE BELTGUARD	1
10-2	97331201	COVER, BELTGUARD — WIRE TYPE BELTGUARD	1
10-3	32496093	CLIP, PLASTIC — WIRE TYPE BELTGUARD	6
10-4	32188518	BRACE, BELTGUARD — WIRE TYPE BELTGUARD	2
10-5	32000705	SCREW, SELF-TAPPING — 3/8-16 X 3/4"	4
10-6	32175564	CAPSCREW, SERRATED WASHER HEAD — 1/4-20 X 3/4"	8
10-7	97007447	WASHER, FLAT — 1/4"	4
10-8	32241200	FASTENER, "U" TYPE	4

FIGURE 11. TYPICAL BELTGUARD & AIR COOLED AFTERCOOLER



REF. NO.	PART NUMBER (QTY.)				DESCRIPTION	
	2545X5	2545D5	2545E7.5	2545N7.5	2545K7.5	2-2545A7.5
	2545X7.5	2545D7.5	2545E10	2545N10	2545K10	2-2545A10
	2545X10	2545D10	2545E10V			
11-1	32315590 (1)	32315590 (1)	32315590 (1)	32315590 (1)	32315590 (2)	BACK, BELTGUARD
11-2	32000705 (4)	32000705 (4)	32000705 (4)	32000705 (4)	32000705 (8)	SCREW, TAPPING — 3/8-16X3/4"
11-3	32244808 (1)	32244808 (1)	32244808 (1)	32244808 (1)	32244808 (2)	COVER, AFTERCOOLER
11-4	32187056 (17)	32187056 (17)	32187056 (17)	32187056 (17)	32187056 (34)	SCREW, SELF-DRILLING — 1/4-14
11-5	32498057 (1)	32498057 (1)	32498057 (1)	32498057 (1)	32498057 (2)	COIL, AFTERCOOLER
11-6	32188518 (2)	32188518 (2)	32188518 (2)	32188518 (2)	32188518 (4)	BRACE, BELTGUARD
11-7	97007447 (2)	97007447 (2)	97007447 (2)	97007447 (2)	97007447 (4)	WASHER, FLAT — 1/4"
11-8	97173595 (2)	97173595 (2)	97173595 (2)	97173595 (2)	97173595 (4)	CAPSCREW, SELF-TAPPING — 1/4-20X1/2"
11-9	—	32306953 (1)	32306953 (1)	32306953 (1)	32306953 (2)	VALVE, CHECK
11-10	32186421 (1)	95245320 (1)	32186421 (1)	—	95245320 (1)	BUSHING, REDUCING
11-11	95031761 (1)	95031761 (1)	95031761 (1)	95031761 (2)	95031761 (2)	ELBOW, TUBE — 3/4"X3/4"
11-12	—	—	—	—	—	CONNECTOR — 3/4"X3/4"
11-13	32174286 (1)	32174286 (1)	32174286 (1)	32174286 (1)	32174286 (2)	VALVE, RELIEF — 325 PSIG
11-14	32308074 (1)	32308074 (1)	32308074 (1)	32308074 (1)	32308074 (2)	ASSEMBLY, TUBE — COMPRESSOR TO AFTERCOOLER
11-15	—	32496713 (1)	32497133 (1)	32498073 (1)	32498131 (2)	ASSEMBLY, TUBE — AFTERCOOLER TO RECEIVER
11-16	32241200 (2)	32241200 (2)	32241200 (2)	32241200 (2)	32241200 (4)	CLIP, U
11-17	32175564 (2)	32175564 (2)	32175564 (2)	32175564 (2)	32175564 (4)	CAPSCREW, 1/4-20X3/4"
NI	95083275 (1)	95083275 (1)	95083275 (1)	—	95083275 (2)	CONNECTOR, TUBE — 3/4X3/4"

AIR COOLED AFTERCOOLER ADDITION KITS

Air cooled aftercooler addition kits allow for the addition of an air cooled aftercooler to your unit. Kits include front and back cover, aftercooler coil, safety/relief valve, silencer, tubing and mounting hardware.

PART NUMBER	MODEL
32323354	2545E10V

The automatic drain valve removes condensed water and oil from compressed air systems without restricting air flow, creating pressure drops or opening the system to the atmosphere. Its unique design maintains systems pressure and volume during operation, and increases productivity.

REF. NO.	PART NUMBER	DESCRIPTION
REF.	32310690	VALVE, AUTOMATIC DRAIN ((SIMPLEX & DUPLEX UNITS)
12-1	32310971	KIT, WATER CAP ASSEMBLY
12-2	32296246	KIT, BODY/PISTON ASSEMBLY
12-3	32310997	KIT, ONE WAY VALVE
12-4	32496317	RESERVOIR, STANDARD CAPACITY
12-4	32496309	RESERVOIR, HIGH CAPACITY
12-5	32311060	ELBOW, TUBE — 1/4"

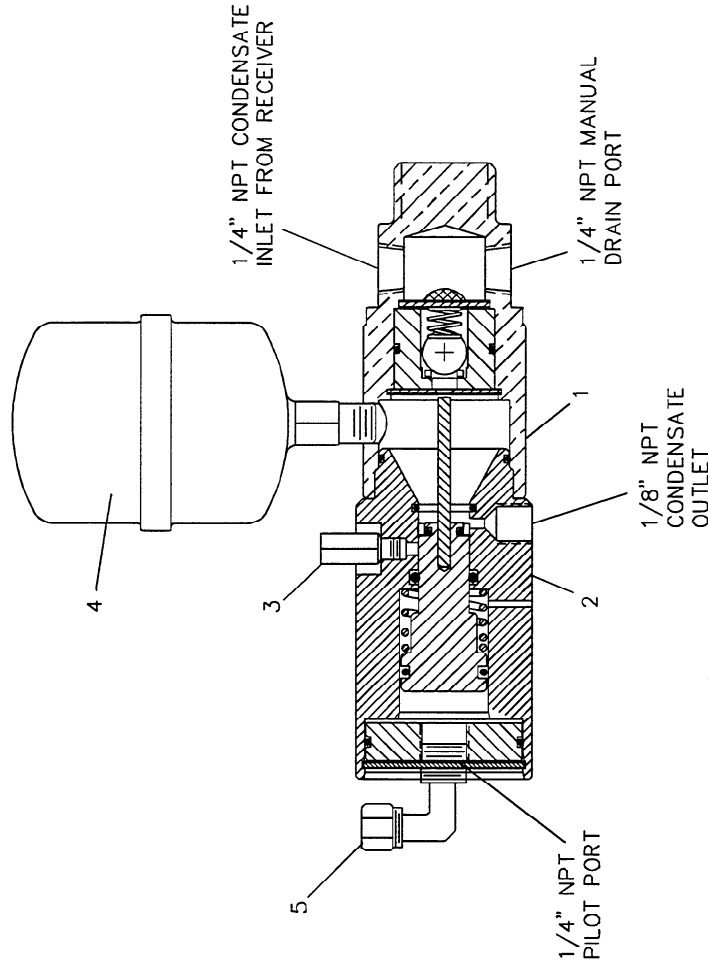
* The high capacity reservoir gives the automatic drain valve twice as much condensate storage capacity during the pumping cycle. This larger reservoir is available as an upgrade. A larger reservoir is recommended for use on heavily-loaded simplex compressors with long pumping cycles and/or operating in extremely humid environments. If the pumping cycle exceeds one hour, then an electric timer kit should be used.

AUTOMATIC DRAIN VALVE TIMER KITS

An automatic drain valve timer kit resolves application problems in which an existing automatic drain valve cycles too infrequently. A timer generates the pneumatic signals for actuating the automatic drain valve. With a timer, the automatic drain valve operates independently of the compressor unload cycles.

PART NUMBER	DESCRIPTION
32499964	KIT, ELECTRIC TIMER — AUTOMATIC DRAIN VALVE

FIGURE 12. AUTOMATIC DRAIN VALVE REPLACEMENT PARTS.



AUTOMATIC DRAIN VALVE ADDITION KITS

An automatic drain valve addition kit allows you to add an automatic drain valve to simplex electric packages.

PART NUMBER	DESCRIPTION
32311219	KIT, ADDITION — AUTOMATIC DRAIN VALVE

MAINTENANCE PAKS

Maintenance paks contain all the parts necessary for one complete routine maintenance service of your compressor. All-Season T30 Select lubricant, air filter elements, gaskets, drive belts, and instructions are standard with all maintenance paks.

PART NO.	DESCRIPTION
38485082	PAK, MAINTENANCE — 2545E10
38485082	PAK, MAINTENANCE — 2545E10V

VIBRATION ISOLATOR PADS

Vibration isolator pads are designed to absorb 40%-60% of the sound and vibration of your compressor.

PART NUMBER	DESCRIPTION
32320681	PAD, VIBRATION ISOLATOR - 4" X 4" SP-NR
32320699	PAD, VIBRATION ISOLATOR - 5" X 5" SP-NR
32321002	PAD, VIBRATION ISOLATOR - 4" X 4" NRC
32321028	PAD, VIBRATION ISOLATOR - 5" X 5" NRC
32321010	PAD, VIBRATION ISOLATOR - 6" X 6" NRC

SP-NR: Steel plate bonded between a NR pad and a non-skid oil-resistant ribbed neoprene top pad.

NRC: Two ribbed neoprene pads bonded to 1/2" cork pad.

CRANKCASE HEATER KITS

Crankcase heaters are recommended when ambient temperatures are consistently below 32°F (0°C). An easy-to-install external crankcase heater kit is intended for aftermarket use. Two kits may be required for some applications.

PART NUMBER	DESCRIPTION
97330385	KIT, CRANKCASE HEATER

COMPRESSOR LUBRICANT

All Season T30 Select® is an all-temperature diester synthetic lubricant that is formulated for exceptional lubrication at low, normal and high operating temperatures.

PART NUMBER	DESCRIPTION
32318875	LUBRICANT, ALL SEASON T30 SELECT - QUART
32318883	LUBRICANT, ALL SEASON T30 SELECT - CASE OF 12 QUARTS

START-UP KITS

Each start-up kit contains the necessary quantities of All Season T30 Select lubricant and air filter element(s) to start-up and maintain your compressor for the first year. Start-Up kits for gasoline engine driven models also include a replacement engine air filter, engine oil filter, and engine lubricant. See the engine manufacturer's instructions for more detailed engine care information.

PART NO.	DESCRIPTION
32305898	KIT, START-UP

STEP SAVER KITS

Step Saver Kits provide all of the parts required to perform common repair or scheduled maintenance tasks, such as piston ring replacement or valve replacement.

PART NUMBER	DESCRIPTION	CONTENTS
32307118	KIT, VALVE/GASKET	Valve wearing parts and head gaskets that are destroyed in replacing valve parts.
32307084	KIT, RING/GASKET	Complete set of piston rings, a crankshaft seal, and gaskets that are destroyed in breaking the unit down to replace the rings.
32204307	KIT, BEARING/CONNECTING ROD	Set of connecting rods, main bearings, and a crankpin bushing. A gasket set is recommended with this kit.
32307126	SET, GASKET	Complete set of gaskets that are destroyed in breaking the unit down for service. Recommended with bearing/connecting rod kit or as spare gaskets.
32319477	KIT, OVERHAUL	All of the above for complete overhaul service.



A series of horizontal lines for writing, starting from the top line and extending to the bottom of the page. The lines are evenly spaced and cover the majority of the page's width.



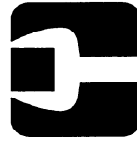
A series of horizontal lines for writing, starting from the top line and extending down the page. The lines are evenly spaced and cover the majority of the page's width.

LOOK WHAT INGERSOLL-RAND CAN DO FOR YOU!



Efficient Field Service

We maintain a highly trained staff of technicians to service your equipment for preventive maintenance, or to assist you should emergencies ever occur.



Complete Repair Service

Our trained technicians will repair or overhaul your equipment to factory specifications, using only genuine I-R parts.



Special Engineering Service

We can help you identify and solve your problems by evaluating your needs and recommending the proper equipment to give you maximum efficiency.



Spare Parts

By stocking genuine I-R spare parts, we can help you avoid costly delays or substituting inferior parts. Using genuine I-R parts on your I-R equipment will help to keep even older equipment running in good-as-new condition.



Complete Stock of Equipment

We carry a complete line of I-R equipment and accessories designed to meet any compressed air application. We are backed by I-R's prompt factory shipment to ensure you on-time delivery.

A SUBSTITUTE IS NOT A REPLACEMENT!

Ensure you get peak performance and longevity out of your Ingersoll-Rand product by insisting on genuine Ingersoll-Rand replacement parts and maintenance kits. Not only are the replacement parts made to precise dimensions and OEM-specified metallurgy, but each part is backed by the Ingersoll-Rand warranty. Your local Air Center, Distributor, or direct Ingersoll-Rand salesperson will work with you to ensure you get the parts you need to do the job right. Equip your machines with only the best — Ingersoll-Rand genuine parts.

NOTE: THE USE OF REPAIR PARTS OTHER THAN THOSE INCLUDED WITHIN THE INGERSOLL-RAND COMPANY APPROVED PARTS LIST MAY CREATE UNSAFE CONDITIONS OR MECHANICAL FAILURES OVER WHICH INGERSOLL-RAND COMPANY HAS NO CONTROL. INGERSOLL-RAND COMPANY SHALL BEAR NO RESPONSIBILITY FOR EQUIPMENT ON WHICH NON-APPROVED REPAIR PARTS ARE INSTALLED.

The manufacturer reserves the right to make changes or add improvements without notice and without incurring any obligation to make such changes to products previously sold.